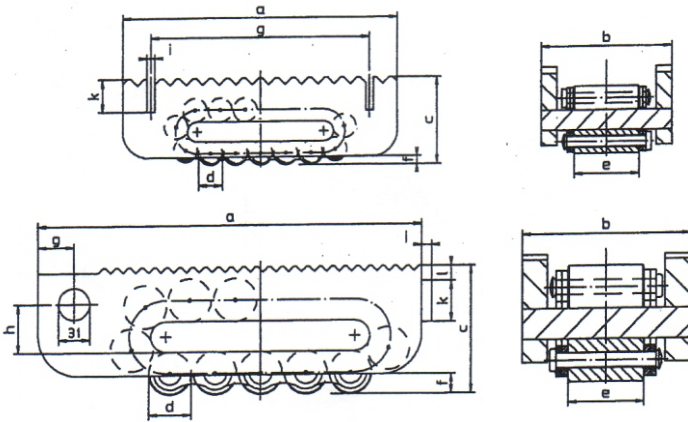
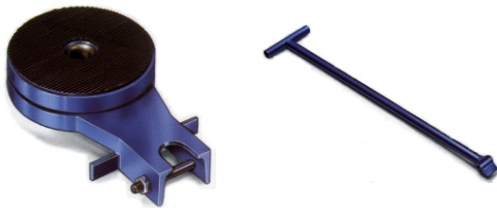


# BOERKEY EXPRESS SKATES

Stable, solid, basic construction  
 Low level construction  
 Accessories for turning corners



MOD.	a	b	c	d	e	f	g	h	i	k	l	ROLLERS UNDER STRESS	NUMBER OF ROLLERS	LOAD TONS	WEIGHT KG
ESS1	210	100	66	18mm	51	6	167		6	25		5	15	10	5.2
ESS2	220	113	75	24mm	60	10	180		6	25		4	13	15	7.3
ESS3	270	130	92	30mm	68	10	217		6	25		4	13	30	13
ESS4	380	168	125	42mm	76	16	36	48	10	40	15	4	13	60	32
ESS5	530	182	142	50mm	86	19	36	60	10	40	15	6	17	80	61



Necessary for turning corners:  
 Swivel turntables are to be placed on top,  
 handle has to be attached; only guide while  
 Roller Skate is moving. Minimum turning circle  
 is 3m. Max speed 5m/min.

## SHIFTING SKATES

2500R-02

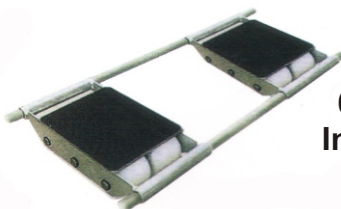


6000R & 12000R



Model J complete - 6 ton set  
 Model M complete - 12 ton set  
 RB3-5 Crowbar - 2 ton

Model J = 1 x 6000R & 2 x 2500R  
 Model M = 1 x 12000R & 2 x 6000-6



6000-06  
 In Tandem

RB3-5  
 CROWBAR

